

MAXIMA

Elettropompe autoadescanti per piscina

Self priming pump for swimming pools

Bomba autoaspirante para piscina

Electropompe auto-amorçante pour piscine



MADE IN SPAIN

 **PEDROLLO**[®]
the spring of life



MAXIMA

Elettropompe autoadescenti per piscina

Self priming pump for swimming pools

Bomba autoaspirante para piscina

Electropompe auto-amorçante pour piscine



efficiency class

IE3

1.750 r.p.m



MAX
68dB

MADE IN SPAIN

IT

- Attacco a flangia 110 mm (4 pollici)
- Cestello prefiltro di grandi dimensioni
- **Verniciatura per cataforesi**
- Base di supporto in Noryl
- Viti e bulloni in acciaio inox AISI 316
- Motore asincrono IE3 a 1750 giri/min. no a 10 HP e a 3.450 giri/min 12.5 e 15 HP
- Cuscinetti lubrificati a vita
- Grado di protezione IP 55, isolamento in classe F
- Temperatura max dell'acqua: +40°C

GB

- Flange connection 110mm (4 inches)
- Large pre-filter basket
- **Cataphoresis painting**
- Noryl support base
- Stainless steel screws AISI 316
- IE3 asynchronous motor at 1750 rpm up to 10 HP, and at 3.450 rpm 12.5 and 15 HP
- Lubricated bearings for life
- IP 55 Grade, class F insulation
- Maximum water temperature: + 40°C

SP

- Conexión brida 110mm (4 pulgadas)
- Cesto prefiltro de gran tamaño
- **Pintura por cataforesis**
- Base soporte de Noryl
- Tornillería en acero inoxidable AISI 316
- Motor asíncrono IE3 a 1750 giri/min. hasta 10 HP, y a 3.450 rpm 12.5 y 15 HP
- Rodamientos lubricados de por vida
- Grado IP 55, aislamiento clase F
- Máxima temperatura del agua: +40°C

FR

- Raccordement à bride 110 mm (4")
- Panier préfiltre grande capacité
- **Peinture cataphorèse**
- Embase support en Noryl
- Vis en acier inoxydable AISI 316
- Moteur asynchrone IE3 à 1750 tr/min. jusqu'à 10 HP, et à 3.450tr/min 12.5 et 15 HP
- Roulements lubrifiés à vie
- Isolation IP55, classe F
- Température maximale de l'eau: + 40°C

Girante in bronzo su richiesta

Bronze impeller on demand

Turbina de bronce bajo demanda

Turbine en bronze sur demande



- ✓ **Polipropilene con fibra di vetro**
Polypropylene with fiberglass
Polipropileno con fibra de vidrio
Polypropylène avec fibre de verre

- ✓ **Albero in acciaio inox AISI 316**
AISI 316 stainless steel shaft
Eje en acero inoxidable AISI 316
Arbre en acier inoxydable AISI 316

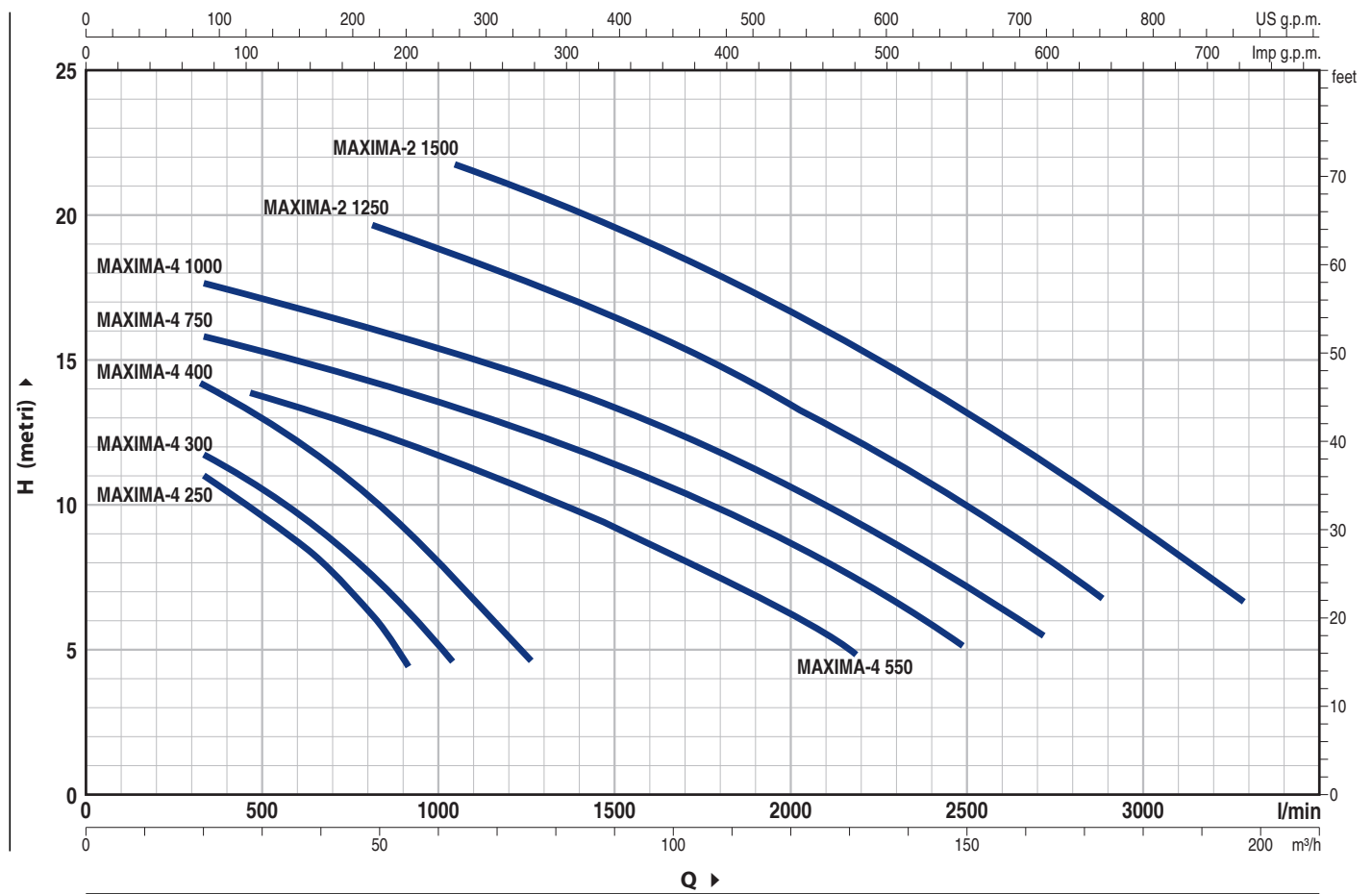
- ✓ **Girante in Noryl**
Impeller in Noryl
Rodete in Noryl
Turbine in Noryl

- ✓ **Tenuta meccanica in acciaio inox AISI 316**
Mechanical seal in stainless steel AISI 316
Sello mecánico en acero inoxidable AISI 316
Garniture mécanique en acier inoxydable AISI 316

- ✓ **Funzionamento a 1750 giri/minuto fino a 10HP ea 3.450 giri/minuto 12.5 e 15 HP**
Operation at 1750 rpm up to 10 HP, and at 3.450 rpm 12.5 and 15 HP
Funcionamiento a 1750 giri/min. hasta 10 HP, y a 3.450 rpm 12.5 y 15 HP
Fonctionnement à 1750 tr/min. jusqu'à 10 HP, et à 3.450tr/min 12.5 et 15 HP

CURVE E DATI DI PRESTAZIONE / CHARACTERISTIC CURVES AND PERFORMANCE DATA

60 Hz HS = 0ft



MODELLO / MODEL	POWER (P ₂)			Q	Flow rate (Q)												
	kW	HP	▲		0	20	40	60	80	100	120	140	160	180			
3~				Us g.p.m	0	88	176	264	1333	352	528	616	705	793			
MAXIMA-4 250	1.8	2.5	IE3	H ft	42	36.4	28.5	14.7									
MAXIMA-4 300	2.2	3			44.3	39	31.8	19.7									
MAXIMA-4 400	3	4			52.5	46.3	39.4	29.5	14.7								
MAXIMA-4 550	4	5.5			50.8	47.9	44.3	39.4	34.5	27.9	19.7						
MAXIMA-4 750	5.5	7.5			54.5	52.1	49.2	45.3	40.7	34.8	27.6	18.4					
MAXIMA-4 1000	7.5	10			60.7	58.4	55.4	51.8	47.6	41.7	34.8	28.2	21				
MAXIMA-2 1250	9.2	12.5			67.3	66.6	65	62.3	57.7	51.8	45	37.4	29.5				
MAXIMA-2 1500	11	15			74.5	73.8	73.1	70.5	67.3	62.3	56.4	49.2	41.3	32.8			

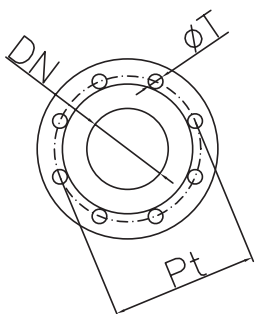
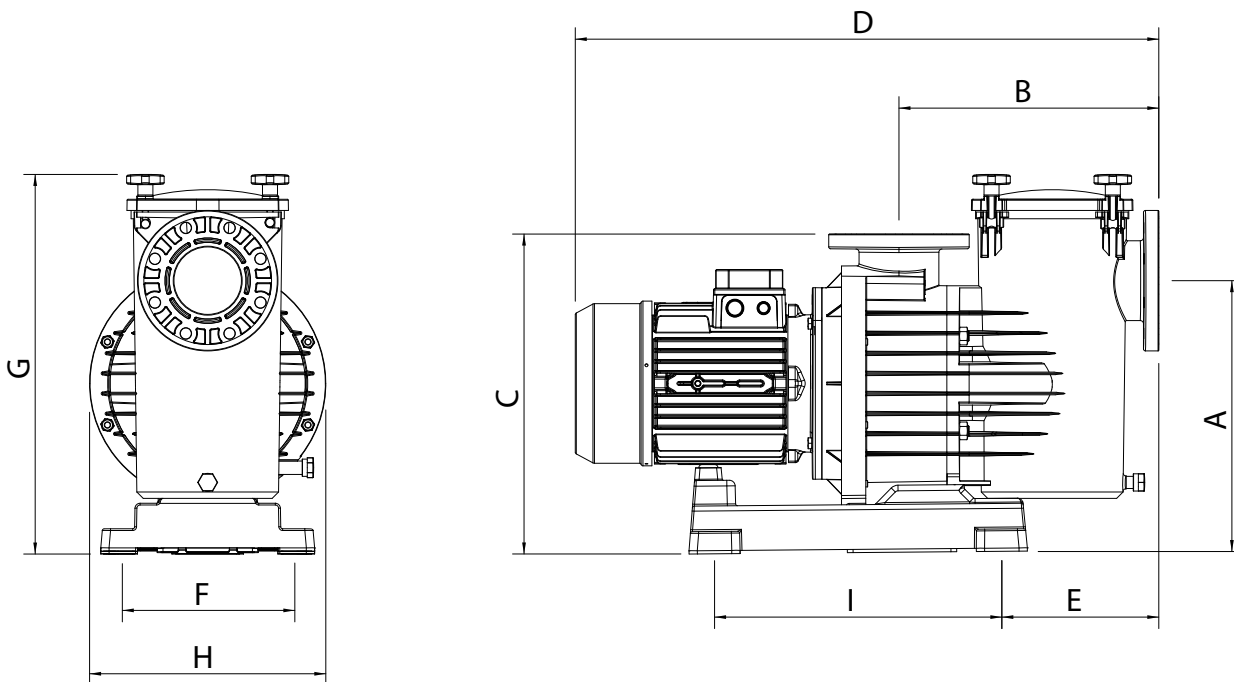
Q = Portata / Flow rate H = Prevalenza manometrica totale/ Total manometric head HS = Altezza di aspirazione / Suction height

Tolleranza delle curve di prestazione secondo EN ISO 9906 Grado 3B. / Tolerance of characteristic curves in compliance with EN ISO 9906 Grade 3B.

▲ Classe di rendimento del motore trifase (IEC 60034-30-1) / ▲ Three-phase motor efficiency class (IEC 60034-30-1)

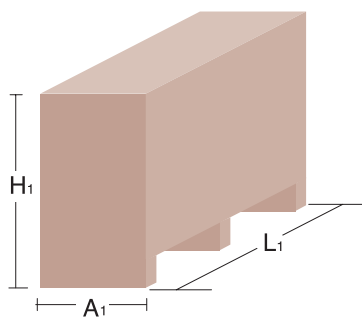
MAXIMA

DIMENSIONI E PESI / DIMENSIONS AND WEIGHT



Modello/Model	A	B	C	D	E	F	G	H	I	DN	ØT	Pt	Kg.
MAXIMA-4 250													42.0
MAXIMA-4 300				838 (33 in)									42.5
MAXIMA-4 400													44.5
MAXIMA-4 550	425 (16.7 in)	407 (16 in)	500 (19.7 in)	863 (4 in)	246 (9.7 in)	300 (11.8 in)	596 (23.4 in)	368 (14.5 in)	450 (17.7 in)	110 (4 in)	18 (0.7 in)	180 (7.1 in)	53.4
MAXIMA-4 750													66.0
MAXIMA-4 1000				913 (36 in)									76.0
MAXIMA-2 1250													84.5
MAXIMA-2 1500													85.5

Dati di imballaggio
Packaging data
Datos embalaje
Données d'emballage



Modello/Model	A1	H1	L1
MAXIMA-4 250			
MAXIMA-4 300		595 (23.4 in)	840 (33 in)
MAXIMA-4 400			
MAXIMA-4 550	385 (15.1 in)		
MAXIMA-4 750		715 (28.1)	1.170 (46 in)
MAXIMA-4 1000			
MAXIMA-2 1250			
MAXIMA-2 1500			